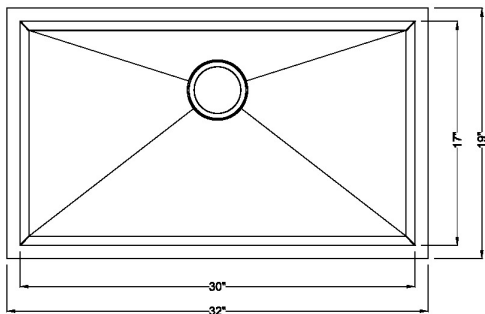


STAINLESS STEEL SINKS



32" Single Bowl Undermount

The zero radius project series of handmade kitchen sinks from zuhnë combine style and functionality with exceptional value. Made from 18 gauge T304 Posco steel, these sinks contain 25% more steel per sink than comparable 20 gauge sinks so that they don't bow, warp or dent. Drain boiling water & flush ice without worrying about corrosion & rust. We use non-toxic lead free materials & ISO approved production processes.

- Overall Size: 32" x 19" x 10"
- Bowl Size: 30" x 17" x 10"
- Drain Opening: 3.5"
- Installment: Undermount
- Thickness: 18G

PART: _____ QTY: _____
PROJECT: _____
CONTACT: _____
DATE: _____
NOTES: _____
APPROVAL: _____